

To register a complaint or obtain additional information, contact:

**Planning and Building Services Department**  
224 West Ninth Street  
P.O. Box 7402  
Sioux Falls, SD 57104-7402  
(605) 367-8670 voice  
(605) 367-7039 hearing impaired

**Sioux Falls Human Relations Commission**  
224 West Ninth Street  
P.O. Box 7402  
Sioux Falls, SD 57104-7402  
(605) 367-8745 voice  
(605) 367-7039 hearing impaired

The purpose of this publication is to provide basic information on accessible parking requirements in the city of Sioux Falls. No attempt is made to cover all ordinance requirements. The information presented is subject to change to comply with any new laws, ordinances, or policies.

# Accessible Parking Requirements

Developed for businesses, architects, engineers, contractors, sign companies, and citizens to simplify and clarify accessible parking ordinances.



Prepared by Sioux Falls Planning and Building Services Department in Cooperation with the Sioux Falls Disability Awareness Commission



## Accessible parking for individuals with disabilities

### Requirements for employee and visitor parking lots

#### REQUIRED

Any facility offering parking for employees or visitors must provide accessible parking for individuals with disabilities.

#### ACCESSIBLE PARKING SPACE

An accessible parking space consists of a vehicle space with proper signage, and a striped access aisle with proper signage. The entire space must be kept clear of obstructions at all times, including ice, snow, shopping carts, trash cans, potted plants, seasonal garden displays, bicycle racks, etc. An access aisle does not have a wheel stop.

#### LOCATION AND ROUTE





Accessible parking spaces must be located on the shortest accessible route of travel to an

accessible facility entrance. Where buildings have multiple accessible entrances with adjacent parking, the accessible parking spaces must be dispersed and located closest to the accessible entrances.

When accessible parking spaces are added in an existing parking lot, locate the spaces on the most-level ground close to the accessible entrance. An accessible route must always be provided from the accessible parking to the accessible entrance. An accessible route never has curbs or stairs, must be at least 3 feet wide, and has a firm, stable, slip-resistant surface. The slope along the accessible route should not be greater than 1:20 in the direction of travel. (A slope of 1:12 is acceptable with additional

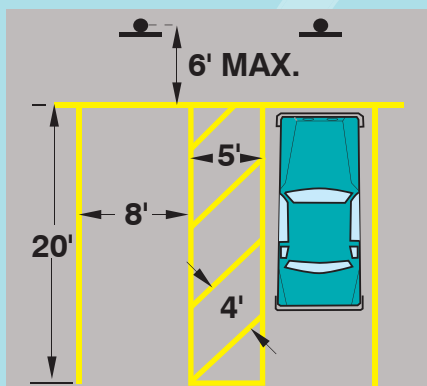
CONTINUED INSIDE

### Required Accessible Parking Spaces

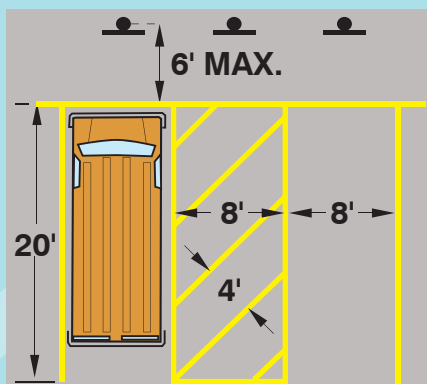
| Total Parking in Lot | Standard Accessible Parking Spaces  | Van Accessible Parking Spaces   | Required Minimum Number of Accessible Parking Spaces |
|----------------------|---|---|--|
| 1 to 25              | 0   | 1   | 1  |
| 26 to 50             | 1   | 1   | 2  |
| 51 to 75             | 2   | 1   | 3  |
| 76 to 100            | 3   | 1   | 4  |
| 101 to 150           | 4   | 1   | 5  |
| 151 to 200           | 5   | 1   | 6  |
| 201 to 300           | 6   | 1   | 7  |
| 301 to 400           | 7   | 1   | 8  |
| 401 to 500           | 7   | 2   | 9  |
| 501 to 1000          |  |  | 2% of total  |
| 1001 and over        |  |  | 20 plus 1 for each 100 over 1000                     |

Note: Medical facilities require additional accessible parking spaces. Please call for more information. Additional van-accessible spaces may replace standard accessible parking spaces.

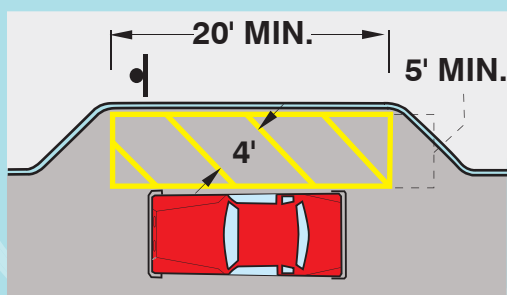
### STANDARD ACCESSIBLE PARKING SPACES



### VAN ACCESSIBLE PARKING SPACES



### PASSENGER LOADING ZONE ACCESS AISLE



### ACCESSIBLE PARKING SPACE AND ACCESS AISLE REQUIREMENTS

|  |  |  |   |
|--|--|--|---|
| <p>12" <b>STANDARD ACCESSIBLE PARKING SPACE</b></p> <p><b>PRIMARY SIGN WITH SUPPLEMENTAL PLAQUE INCORPORATED</b></p> <p>31"</p> <p>60" MIN.</p> <p><b>COLOR:</b> Legend and border are green on a white background; white symbol on a blue background.</p> | <p>12" <b>STANDARD ACCESSIBLE PARKING SPACE</b></p> <p><b>PRIMARY SIGN AND SUPPLEMENTAL PLAQUE</b></p> <p>18"</p> <p>9"</p> <p>60" MIN.</p> <p><b>COLOR:</b> Legend and border are green on a white background; white symbol on a blue background.</p> | <p>12" <b>VAN ACCESSIBLE PARKING SPACE</b></p> <p><b>PRIMARY SIGN AND SUPPLEMENTAL PLAQUES</b></p> <p>18"</p> <p>9"</p> <p>6"</p> <p>60" MIN.</p> <p><b>COLOR:</b> Legend and border are green on a white background; white symbol on a blue background.</p> | <p>12" <b>8' ACCESS AISLE</b></p> <p><b>WHEELCHAIR ACCESS AISLE</b></p> <p>18"</p> <p>60" MIN.</p> <p><b>COLOR:</b> Legend and border are red on a white background; white symbol on a blue background.</p> |
|--|--|--|---|

**LOCATION AND ROUTE, CONTINUED**  
requirements. Contact Planning and Building Services for more details.)

Accessible parking spaces may be clustered in one or more lots if equivalent or greater accessibility is provided in terms of distance from the accessible entrance, parking fees, and convenience.

**SIGN DETAILS**  
The bottom of the lowest sign shall be a minimum of 60 inches from the pavement. Signs may be mounted higher for better visibility. Standard and van-accessible parking space signs must state, "RESERVED PARKING" and include the Universal Symbol of

Accessibility. Supplemental signage must state, "STATE PERMIT OR LICENSE REQUIRED. \$100 MINIMUM FINE AND CLASS 2 MISDEMEANOR FOR VIOLATORS." A van-accessible parking space must state, "VAN ACCESSIBLE." An 8-foot access aisle must state, "WHEELCHAIR ACCESS AISLE. ABSOLUTELY NO PARKING" and include the Universal Symbol of Accessibility. The appropriate sign colors are explained above.

**ACCESS AISLES AND MARKINGS**  
Each aisle must be part of the accessible route and shall extend the full length of the parking space they serve. The aisle must have diagonally-striped markings spaced every four feet.

Boundaries of the access aisle must be marked. The end may be a squared or curved shape. Two parking spaces may share an access aisle.

**GROUND SURFACE**  
Parking spaces, passenger loading zones, and access aisles shall be placed on a level surface with a slope not steeper than 1:50.

**PASSENGER LOADING ZONES**  
**Medical facilities:** A passenger-loading zone must be provided at an accessible entrance to medical and long-term care facilities where people receive physical or medical treatment or care and where the period of stay

exceeds 24 hours. At least one accessible entrance shall feature a canopy.  
**Valet Parking:** A passenger-loading zone must be provided at valet parking services.

**OTHER REQUIREMENTS:**  
All parking spaces must be hard-surfaced. All spaces must be marked by paint or other approved marking device upon the surface. Surface runoff must be controlled. Parking spaces, bordering a sidewalk, must provide some type of wheel stop, e.g., curb, bumper blocks, etc. Parking lots must be maintained in an orderly manner, as free as possible from snow and ice. All signs, markings, and surfacing must be neat and in good condition.